



Storage Bins

Plan No. 797

Copyright U-Build, Inc., 2004.
All rights reserved. Printed in the U.S.A.

A true country classic, this build-it-yourself storage bin unit is a practical, convenient and attractive way to keep apples, potatoes, onions and other fruits and vegetables fresh and dry. The secret is the wire mesh on the front of each of the three bins that allows air to circulate freely around the produce.

The top shelf is flat for storing canned goods or dish towels. The two pull-out bins below, each measuring 10 inches deep by 15 inches wide, are sized to hold plenty of fruits and vegetables. The unit adds some old-fashioned charm to the kitchen, too.

Because the curved cuts for the lower bins and base are traced from full-size patterns, the project is easy enough for novices.

The project measures 40 inches tall by 19 inches wide by 12 inches deep.

Bill of Material

Quantity	Size	Material	Item
1	1" x 2" x 83"	pine	D, N
1	1" x 3" x 171"	pine	E, F, H, I, M
1	1" x 8" x 40"	pine	G
1	1" x 10" x 122"	pine	C, J, K
1	1" x 12" x 171"	pine	A, B, L
3	7 3/4" x 11 3/4"	1/2" x 1/2" wire mesh	
3 pairs	1 3/8" x 2"	butt hinges	
3	1"	porcelain knobs	
1		friction lid support	
1		magnetic catch	
1 box	1 1/4"	finish nails	
1 bottle		wood glue	
1 can		wood filler	
1 quart		finish of choice	

Cutting Schedule

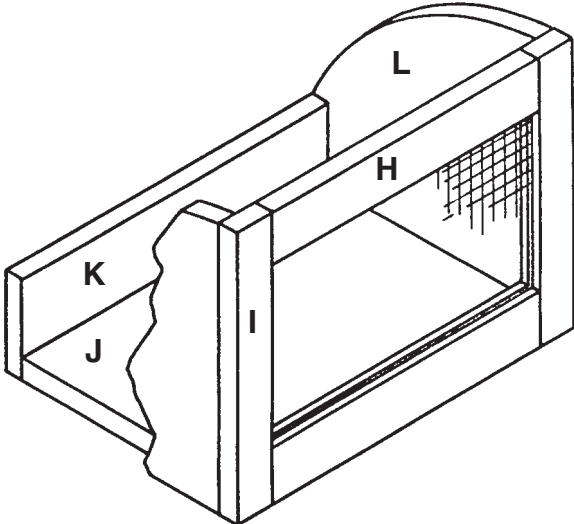
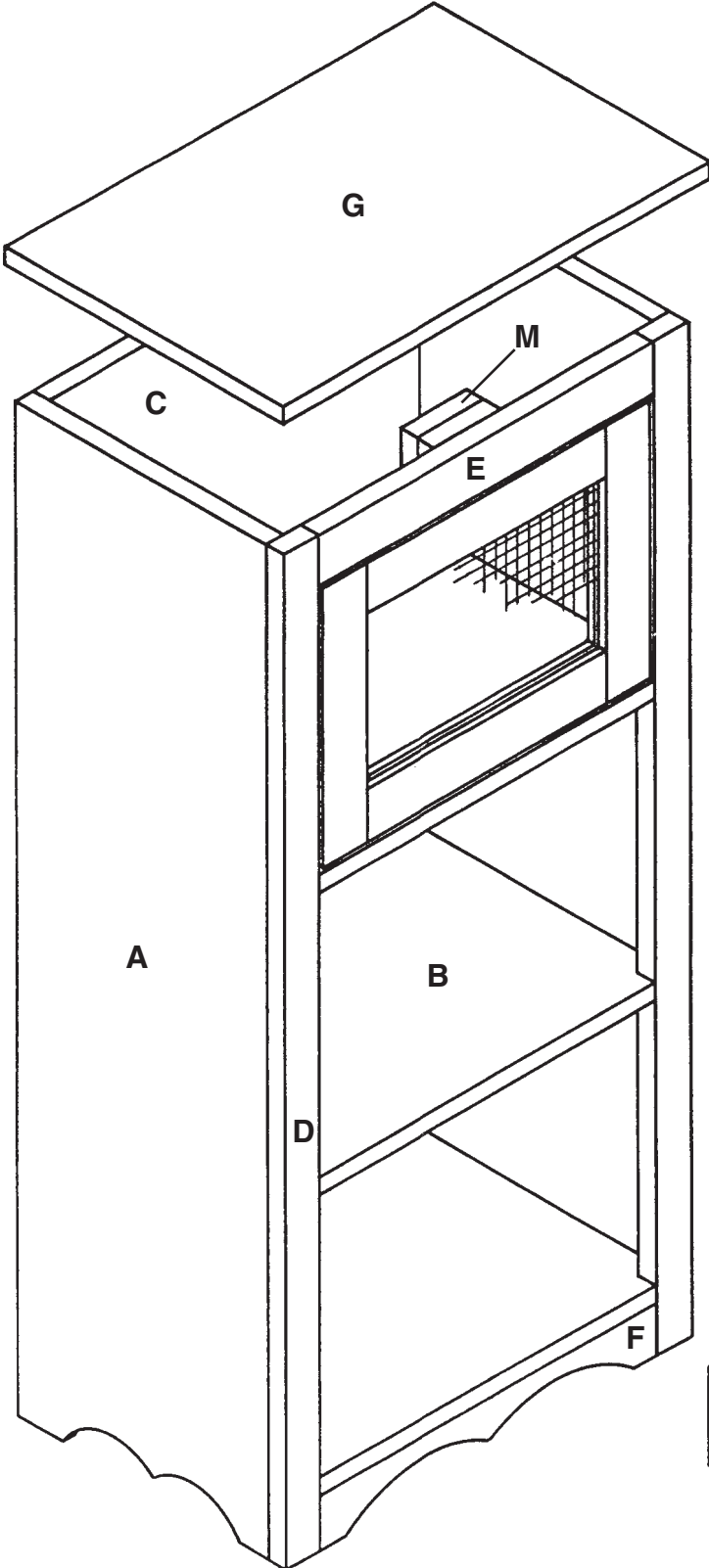
Item	Qty	T	W	L	Material
A	2	3/4"	11"	39 1/4"	pine
B	3	3/4"	11"	16 1/2"	pine
C	1	3/4"	16 1/2"*	39 1/4"	pine
D	2	3/4"	1 1/2"	39 1/4"	pine
E	1	3/4"	2"	15"	pine
F	1	3/4"	2"	15"	pine
G	1	3/4"	12 1/4"*	19"	pine
H	6	3/4"	2"	10 7/8"	pine
I	6	3/4"	2"	10 7/8"	pine
J	2	3/4"	9 1/4"	13 3/8"	pine
K	2	3/4"	3 3/4"	13 3/8"	pine
L	4	3/4"	10 7/8"	10"	pine
M	2	3/4"	2"	3"	pine
N	1	3/4"	1 1/4"	2 1/2"	pine

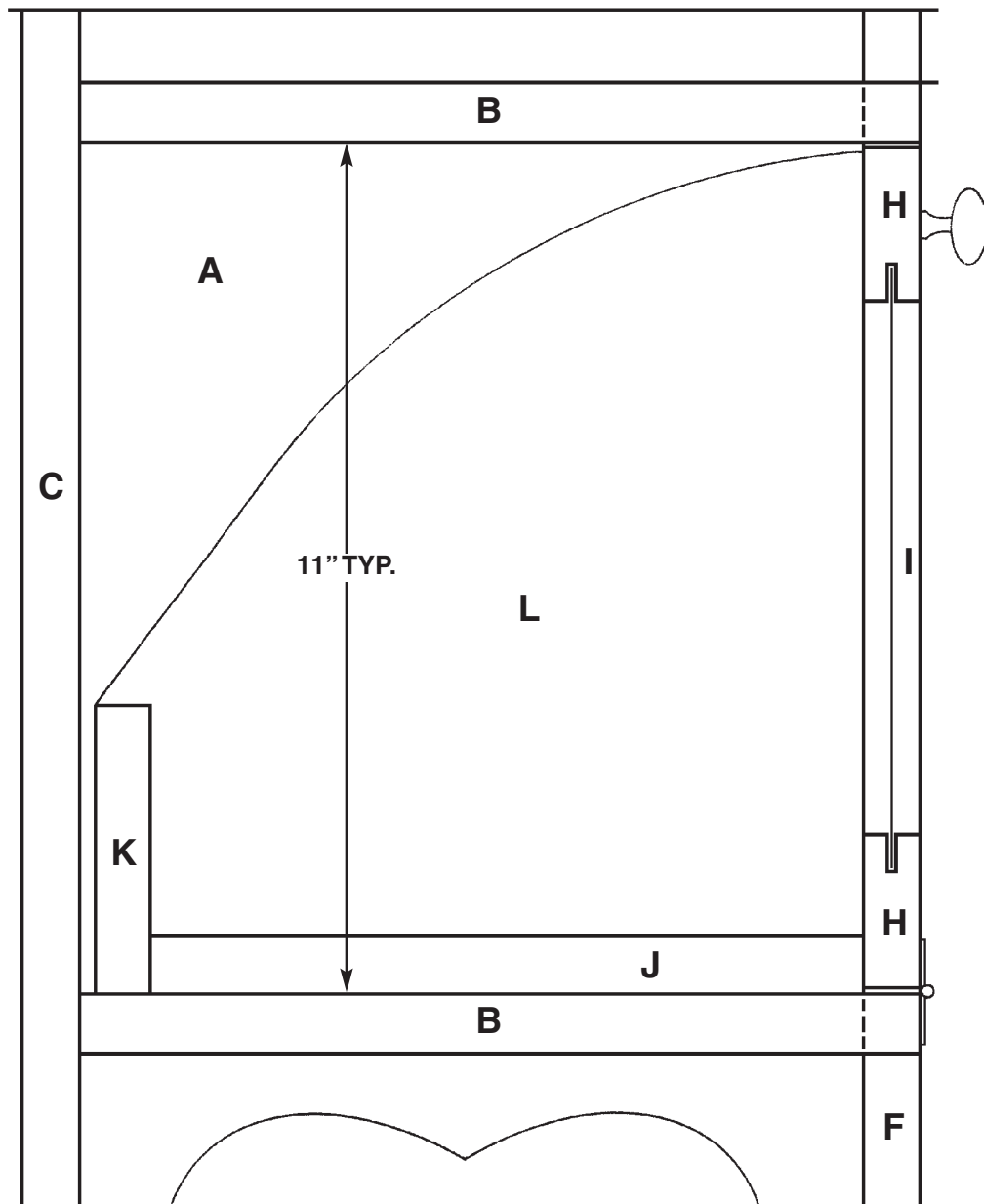
*Edge-gluing required to achieve width.

NOTES

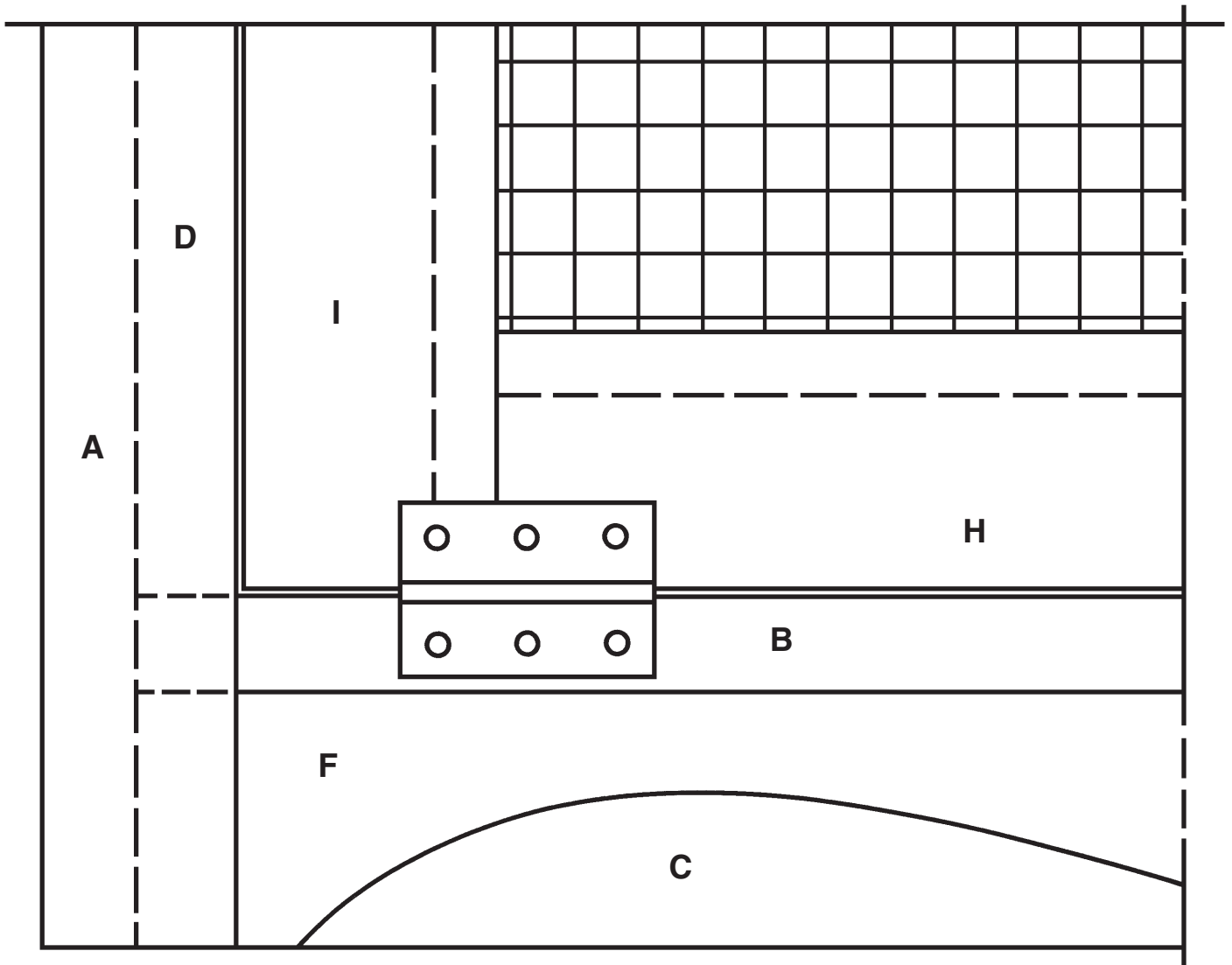
1. Read manufacturer's instructions before operating equipment.
2. **Always** wear safety glasses.
3. Edge-gluing may be required to achieve the necessary width of some pieces (see Cutting Schedule).

Isometric



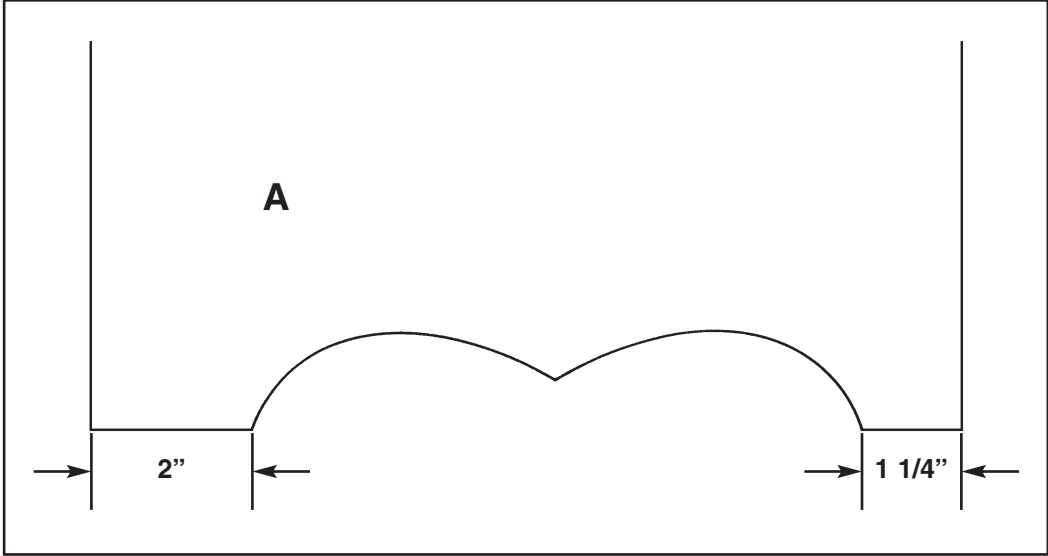
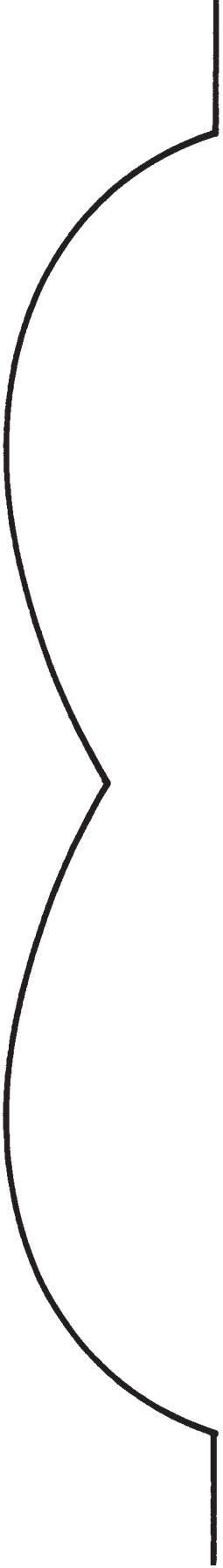


Side View



Front View

Figure 1
Pattern 1



Board A
Pattern 1 Position

Board A
Pattern 1

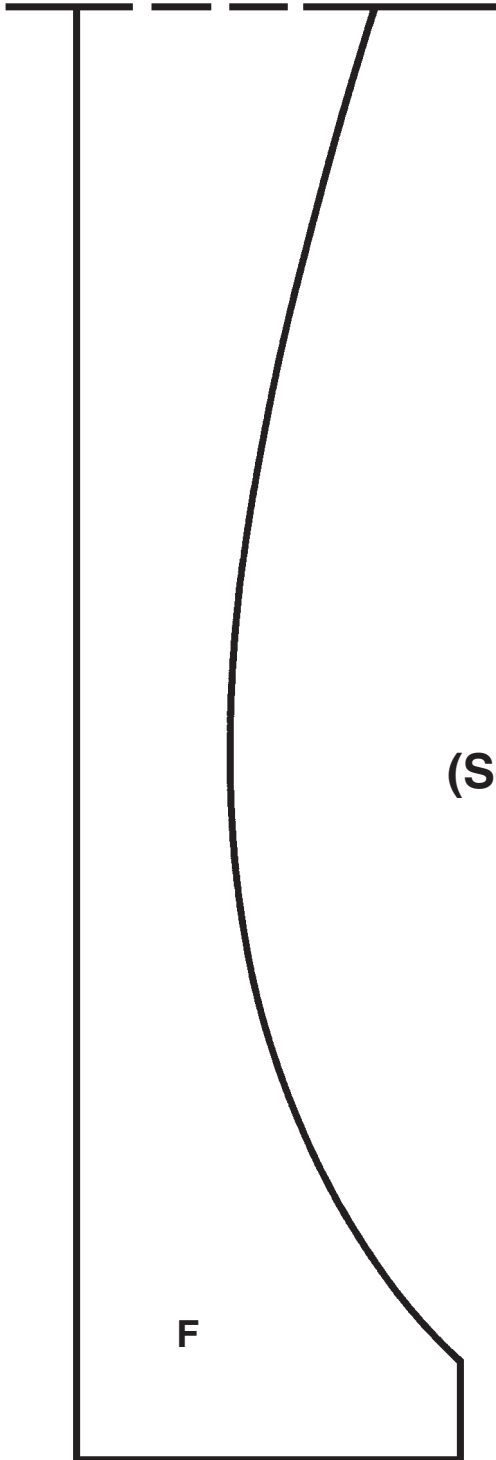
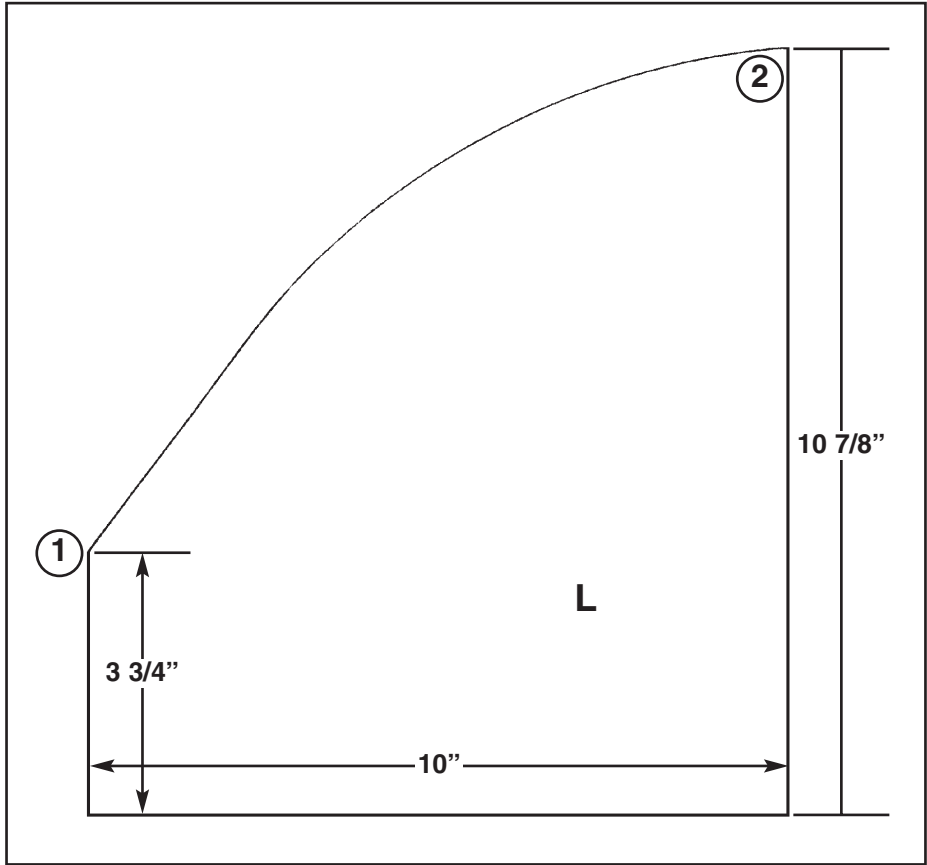


Figure 2
Pattern 2
(See Front View for Position)

Board F
Pattern 2

Figure 3
Pattern 3



Board L
Pattern 3 Position

①

②

①

②

Assembly Instructions

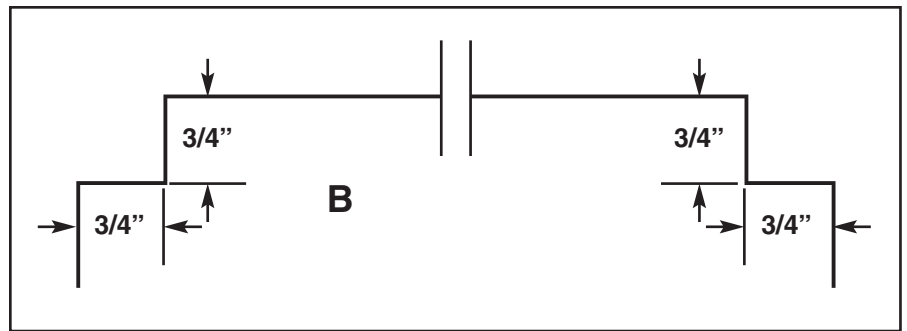
Page One

Read all instructions before beginning any work. Cut all material to sizes shown in cutting schedule.

1. Trace Pattern 1 onto the bottom end of boards (A), cut out curves and sand. Refer to Figure 1, Side View and Isometric.
2. Trace Pattern 2 onto the bottom edge of board (F), cut out curves and sand. Refer to Figure 2 and Isometric.
3. Trace Pattern 3 onto boards (L), cut out curves and sand. Refer to Figure 3, Side View and Isometric.

4. Cut a 3/4" by 3/4" notch on the front corners of shelf boards (B). Refer to Figure 4.

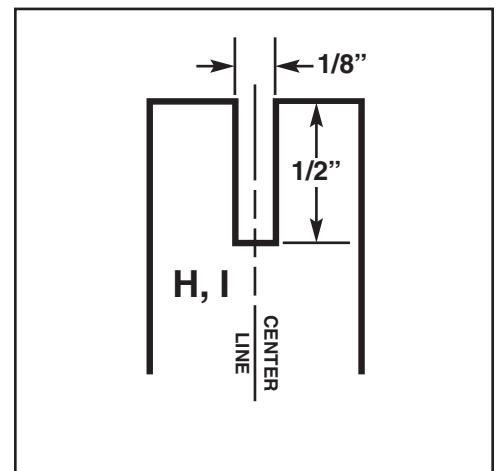
Figure 4
Board B



5. Attach shelf boards (B) to back board (C) using glue and 1 1/4" finish nails. Note: notched edges of boards (B) face the front of the project. Refer to Side View and Isometric.
6. Attach sides (A) to subassembly (B, C) using glue and 1 1/4" finish nails. Refer to Front View, Side View and Isometric.
7. Assemble face frame (D, E, F) using glue. Refer to Front View and Isometric.
8. Attach face frame (D, E, F) to subassembly (A, B, C) using glue and 1 1/4" finish nails. Refer to Front View, Side View and Isometric.

9. Cut a 1/8" wide by 1/2" deep dado on the center of the inside edges of door frame boards (H) and (I). Refer to Figures 5 and 6, Front View and Side View.

Figure 5
Boards H, I



Assembly Instructions

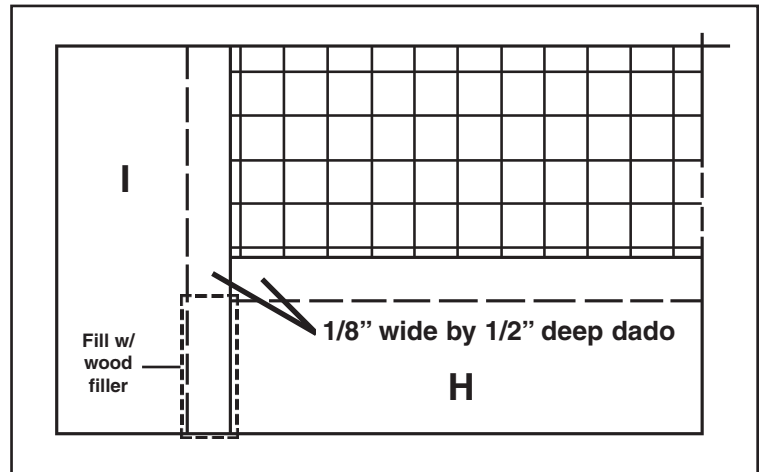
Page Two

Read all instructions before beginning any work. Cut all material to sizes shown in cutting schedule.

10. Apply finish of choice to door frame boards (H) and (I).

11. Insert 7 3/4" by 11 3/4" wire mesh panels into dados in door frame boards (H) and (I). With the wire mesh panels in place, assemble door frame (H, I) using glue. Refer to Figure 6 and Isometric.
12. Once door frames (H, I) are assembled, fill void space on the ends of boards (I) with wood filler. Refer to Figure 6.

Figure 6
Door Detail



13. Attach bin back (K) to bin bottom (J) using glue and 1 1/4" finish nails. Refer to Side View and Isometric.
14. Attach bin sides (L) to subassemblies (J, K) using glue and 1 1/4" finish nails. Refer to Side View and Isometric.
15. Attach door frames (H, I) to bin subassemblies (J, K, L) using glue and 1 1/4" finish nails. Refer to Side View and Isometric.
16. Attach cabinet top (G) to boards (A), (C) and (E) using glue and 1 1/4" finish nails. Refer to Side View and Isometric.
17. Glue boards (M) together to create a 3" wide by 2" tall by 1 1/2" thick block. Refer to Side View and Isometric.
18. Attach subassembly (M, M) to the center of and flush with the top with board of (E). Refer to Side View and Isometric.
19. Sand and apply finish to the project.
20. Attach bins (H, I, J, K, L) and top door (H, I) to boards of (B) using 2" butt hinges. Refer to Front and Side Views.
21. Attach knobs to upper boards (H). Center knob on board. Refer to Side View.
22. Using lid support as a guide, install lid support mounting board (N) to inside of top cabinet.
23. Attach lid support to mounting board (N) and inside of top door frame (H, I). Refer to manufacturer's instructions.